

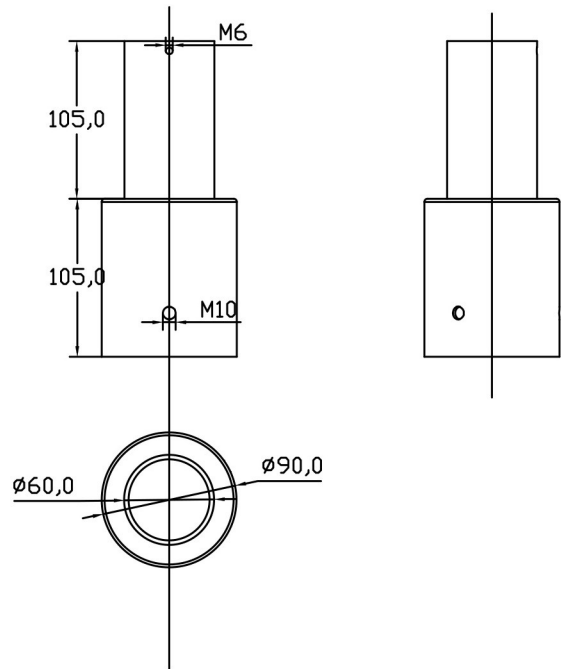
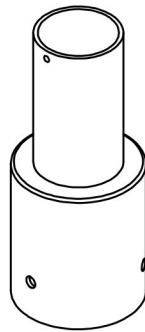
Datasheet

CESCO Pole & Wall Brackets



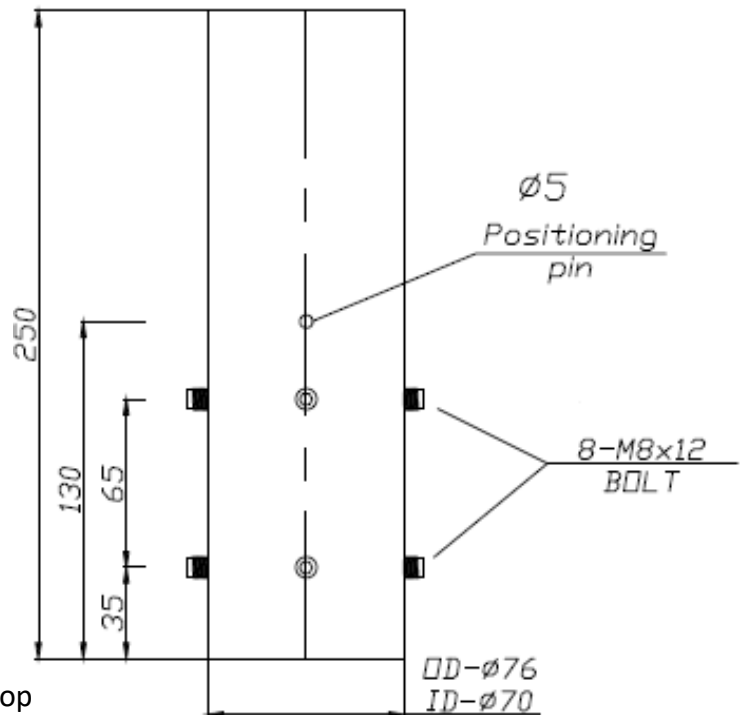
CESCO Pole & Wall Brackets are the ideal solution for your pole top or wall mounting issues. We have brackets to suit street lights or floods in a variety of ranges. For more information, please contact us

Pole Top Spigot Adaptors



TCSPIGOT/AD Pole Top Reducer

- To Suit 76mm Pole Top
- 60mm Fitting Entry



TCADAPT Pole Top Reducer

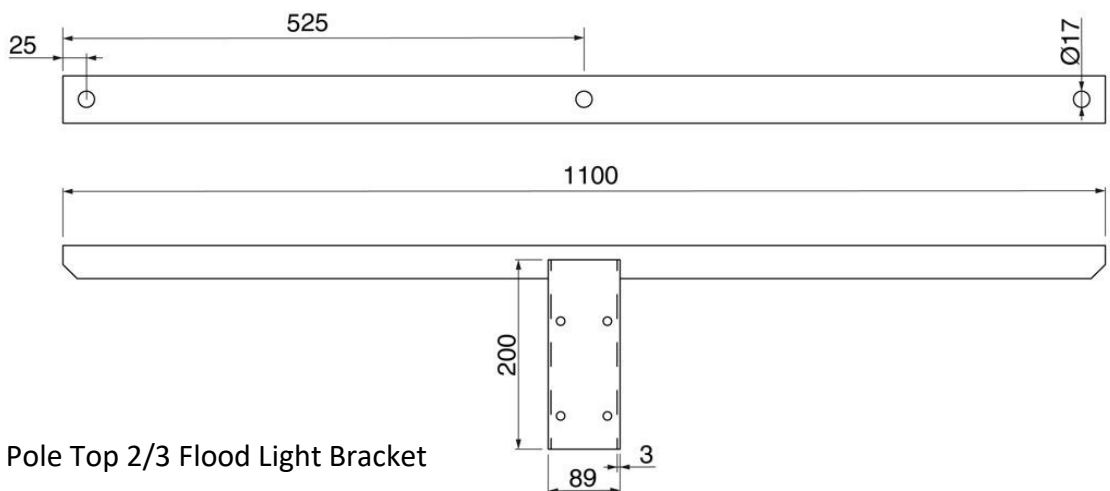
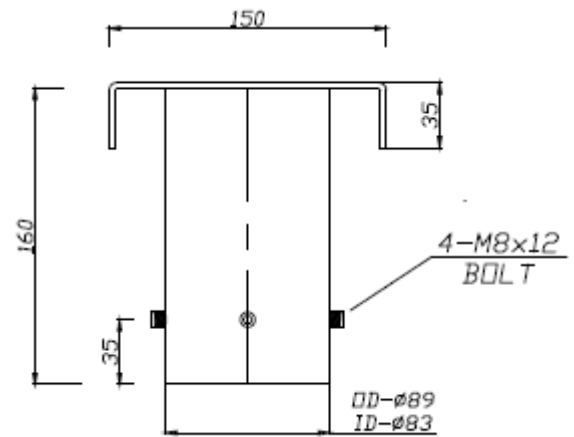
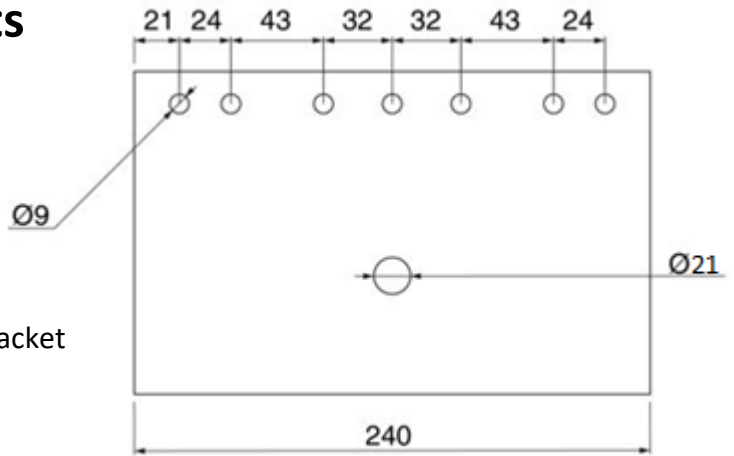
- To Suit 60mm Pole Top
- 76mm Fitting Entry

Pole Top Flood Light Brackets

TF1/AB

Single Pole Top Flood Light Bracket

- To Suit 76mm Pole Top
- 240 X 145mm Top Plate
- 150mm Shaft Length



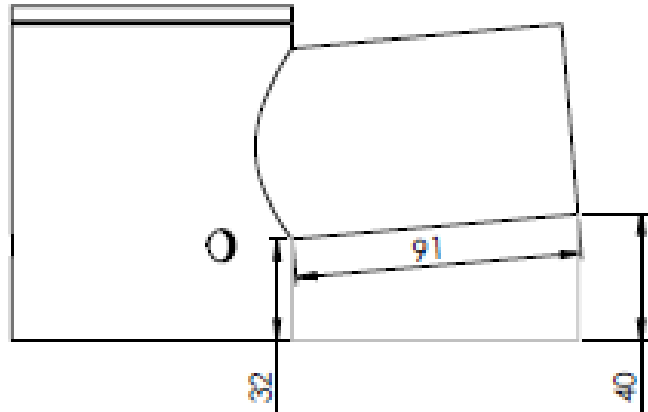
TF2/3AB

Pole Top 2/3 Flood Light Bracket

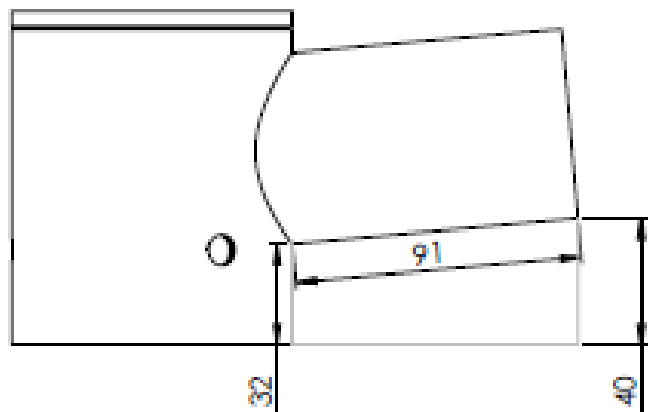
- To Suit 76mm Pole Top
- 500mm Projection either side of pole
- 200mm Shaft Length
- Suitable for 2 or 3 flood lights

Pole Top 90° Bends

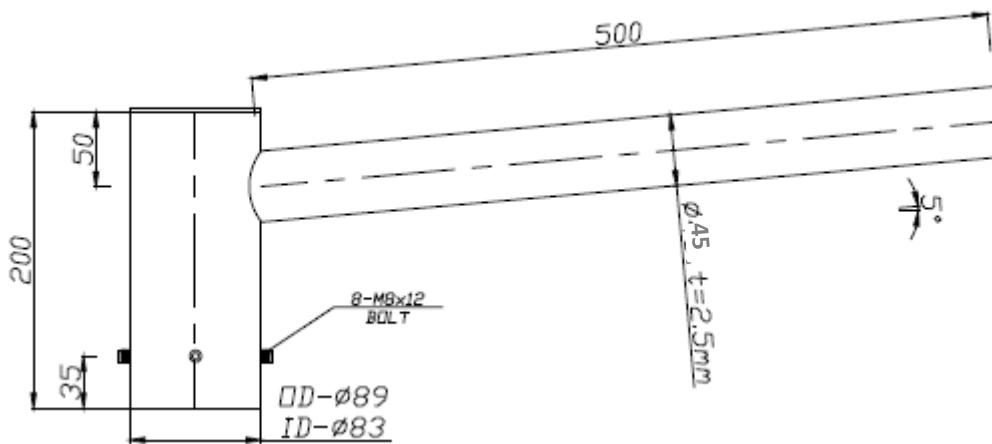
- TMLOR90/45** 90° Bends For Pole Tops
- To Suit 76mm Pole Top
 - 45mm Fitting Entry



- TMLOR90/60** 90° Bends For Pole Tops
- To Suit 76mm Pole Top
 - 60mm Fitting Entry

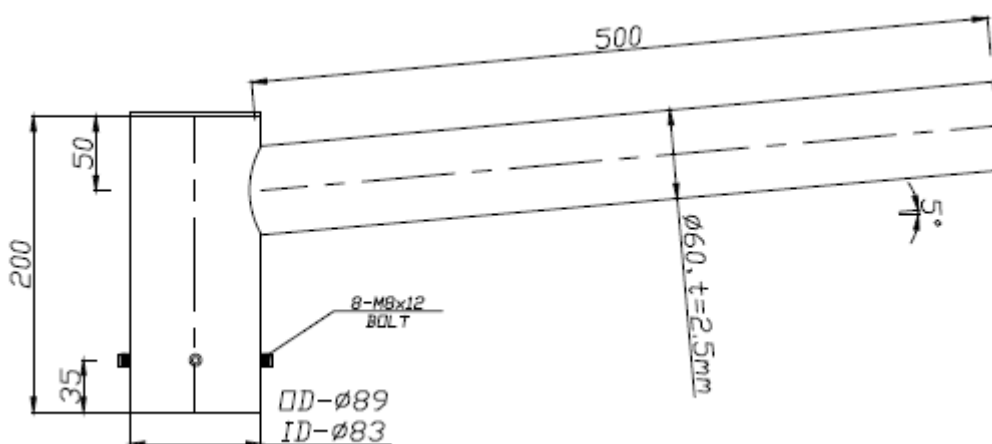
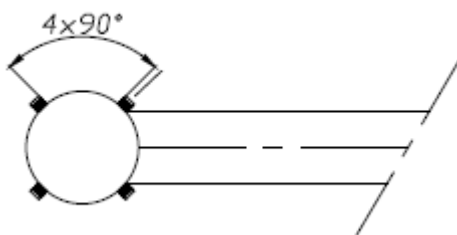


500mm Outreach Arms



TMLOR500/45 Pole Top Outreach

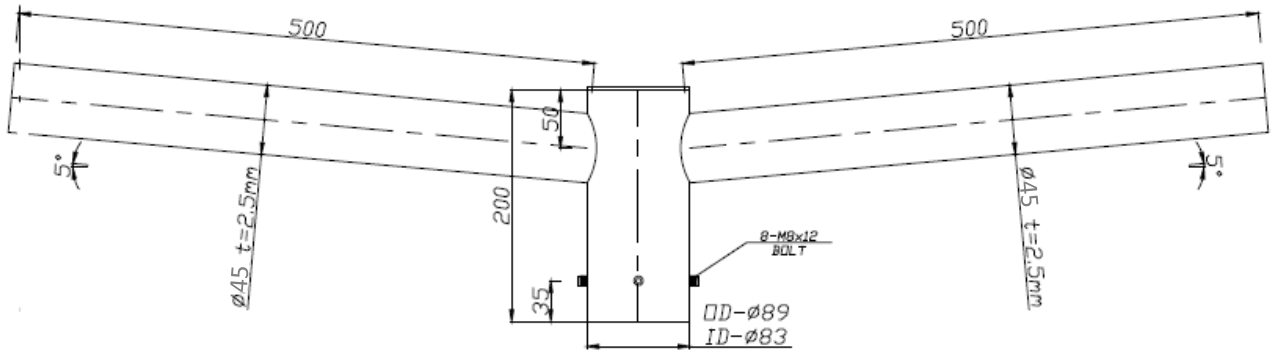
- To Suit 76mm Pole Top
- 45mm Fitting Entry
- 500mm Outreach



TMLOR500/60 Pole Top Outreach

- To Suit 76mm Pole Top
- 60mm Fitting Entry
- 500mm Outreach

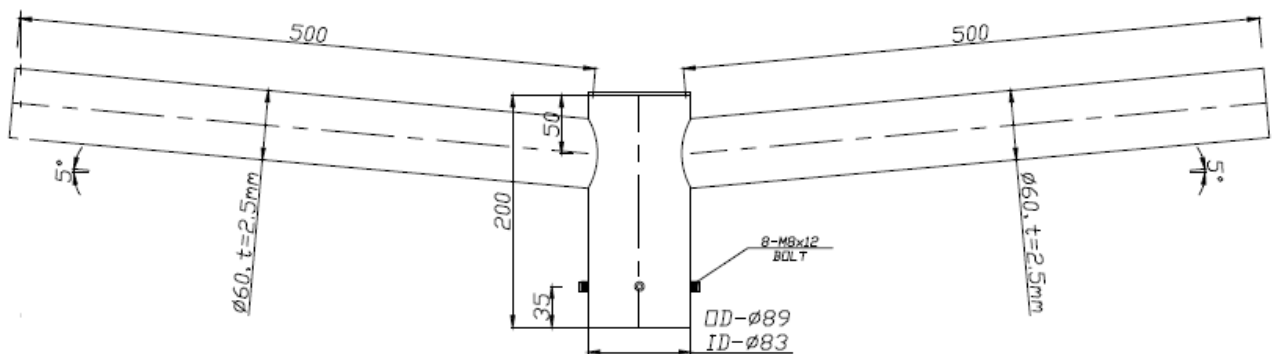
500mm Double Outreach Arms



TMLDOR500/45

Pole Top Double Outreach

- To Suit 76mm Pole Top
- 45mm Fitting Entry
- 500mm Outreach Each Side
- Total 1M End to End

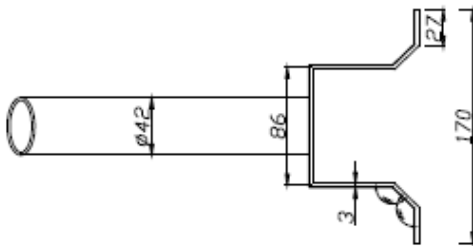
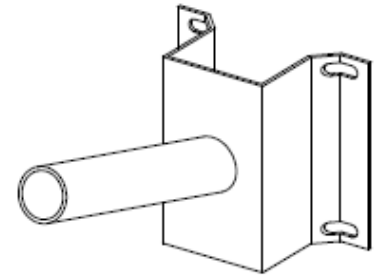
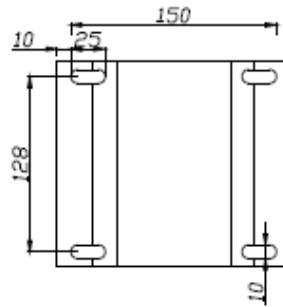
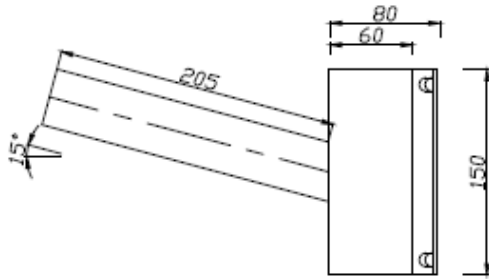


TMLDOR500/60

Pole Top Double Outreach

- To Suit 76mm Pole Top
- 60mm Fitting Entry
- 500mm Outreach Each Side
- Total 1M End to End

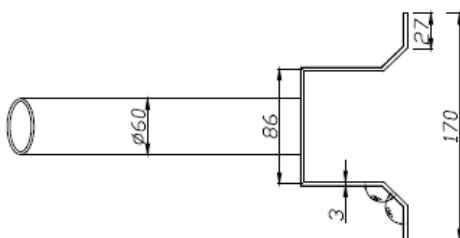
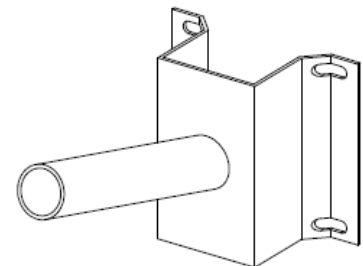
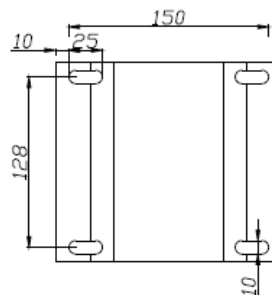
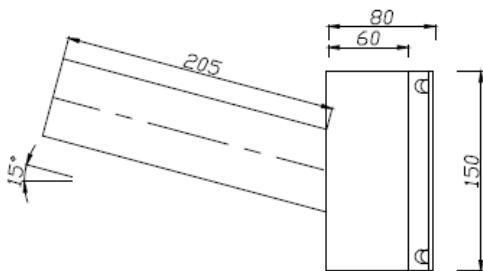
Wall Brackets



TMWB45

Wall Bracket for Rear Entry Fittings

- Flat or Corner wall installation
- 45mm Diameter Outreach



TMWB60

Wall Bracket for Rear Entry Fittings

- Flat or Corner wall installation
- 60mm Diameter Outreach

Sleeve for Highway Range

TC-SLEEVE

Inner Sleeve to Suit HIGHWAY Range

- Fits inside spigot of HIGHWAY Range
- Reduces entry from 60 to 45mm
- Holes for screws to go through to clamp onto bar
- Designed for HIGHWAY so may not suit other fittings

